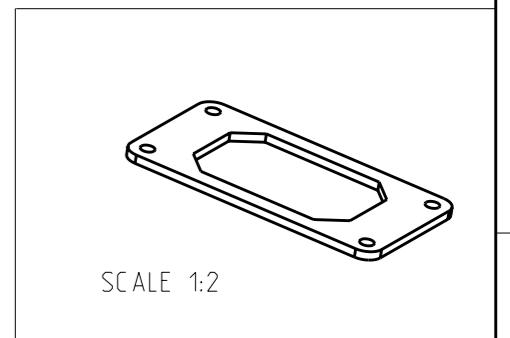
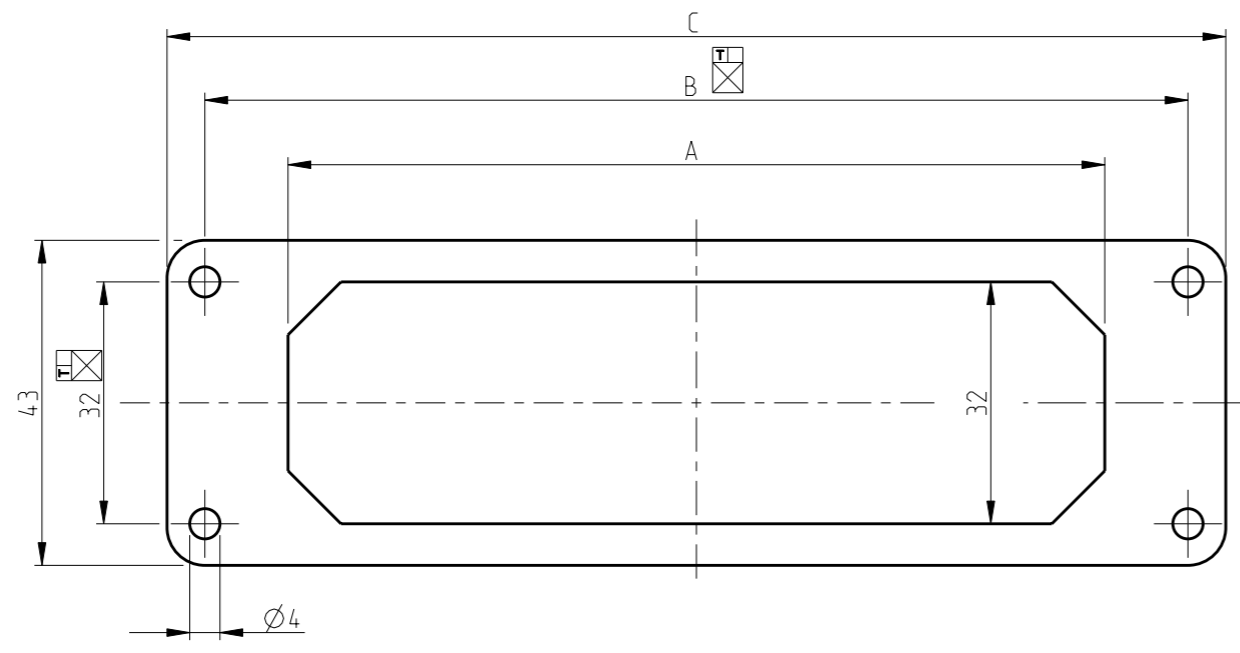


THIS DRAWING IS UNPUBLISHED. RELEASED FOR PUBLICATION 1997
 © COPYRIGHT 1997 BY TYCO ELECTRONICS CORPORATION. ALL RIGHTS RESERVED.

LOC	DIST	REVISIONS			
P	LTR	DESCRIPTION	DATE	DWN	APVD
A1	-	B7	Released as per ECR-08-025177	07.Oct.2008	GG TS

NOTES
 1. PACKAGING 50 PIECES IN A BOX



1-3	1-2	1-1	1-0	0-9	0-4	0-3	0-2	0-1	DESCRIPTION	MATERIAL	COLOR	POS	NOTES	A	B	C
-	-	-	-	-	-	-	-	-	Flange gasket HB.24	Neoprene	Black	9	2.0 mm Thick	108	130	140
-	1	-	-	-	-	-	-	-	Flange gasket HB.24	Viton compound	Black	8	3.0 mm Thick	108	130	140
-	-	1	-	-	-	-	-	-	Flange gasket HB.16	Viton compound	Black	7	3.0 mm Thick	81	103	113
-	-	-	1	-	-	-	-	-	Flange gasket HB.10	Viton compound	Black	6	3.0 mm Thick	63	83	93
-	-	-	-	1	-	-	-	-	Flange gasket HB.6	Viton compound	Black	5	3.0 mm Thick	50	70	80
-	-	-	-	-	1	-	-	-	Flange gasket HB.24	Cell India rubber"B"	Black	4	2.5 mm Thick,on one side self adhesive	108	130	140
-	-	-	-	-	-	1	-	-	Flange gasket HB.16	Cell India rubber"B"	Black	3	2.5 mm Thick,on one side self adhesive	81	103	113
-	-	-	-	-	-	-	1	-	Flange gasket HB.10	Cell India rubber"B"	Black	2	2.5 mm Thick,on one side self adhesive	63	83	93
-	-	-	-	-	-	-	-	1	Flange gasket HB.6	Cell India rubber"B"	Black	1	2.5 mm Thick,on one side self adhesive	50	70	80

THIS DRAWING IS A CONTROLLED DOCUMENT FOR TYCO ELECTRONICS CORPORATION
 IT IS SUBJECT TO CHANGE AND THE CONTROLLING ENGINEERING ORGANIZATION
 SHOULD BE CONTACTED FOR THE LATEST REVISION.

DIMENSIONS: mm	TOLERANCES UNLESS OTHERWISE SPECIFIED: n,ISO 8015: n,ISO 2768-mH-E: n,DIN 15901-120
	0 PLC ± 1 PLC ± 2 PLC ± 3 PLC ± 4 PLC ± ANGLES ±
MATERIAL	FINISH
1	2

DWN Schneider 11.01.1999	CHK Schweiger 11.01.1999	APVD -	PRODUCT SPEC -	APPLICATION SPEC -	WEIGHT -	Tyco Electronics.AMP.GmbH D-53757 Sankt Augustain, Germany		NAME Flange mounted seal HB 6-24		RESTRICTED TO -
SIZE A 3		CAGE CODE 00779	DRAWING NO C=1106352		SCALE 1:1		SHEET 1 OF 1		REV B7	