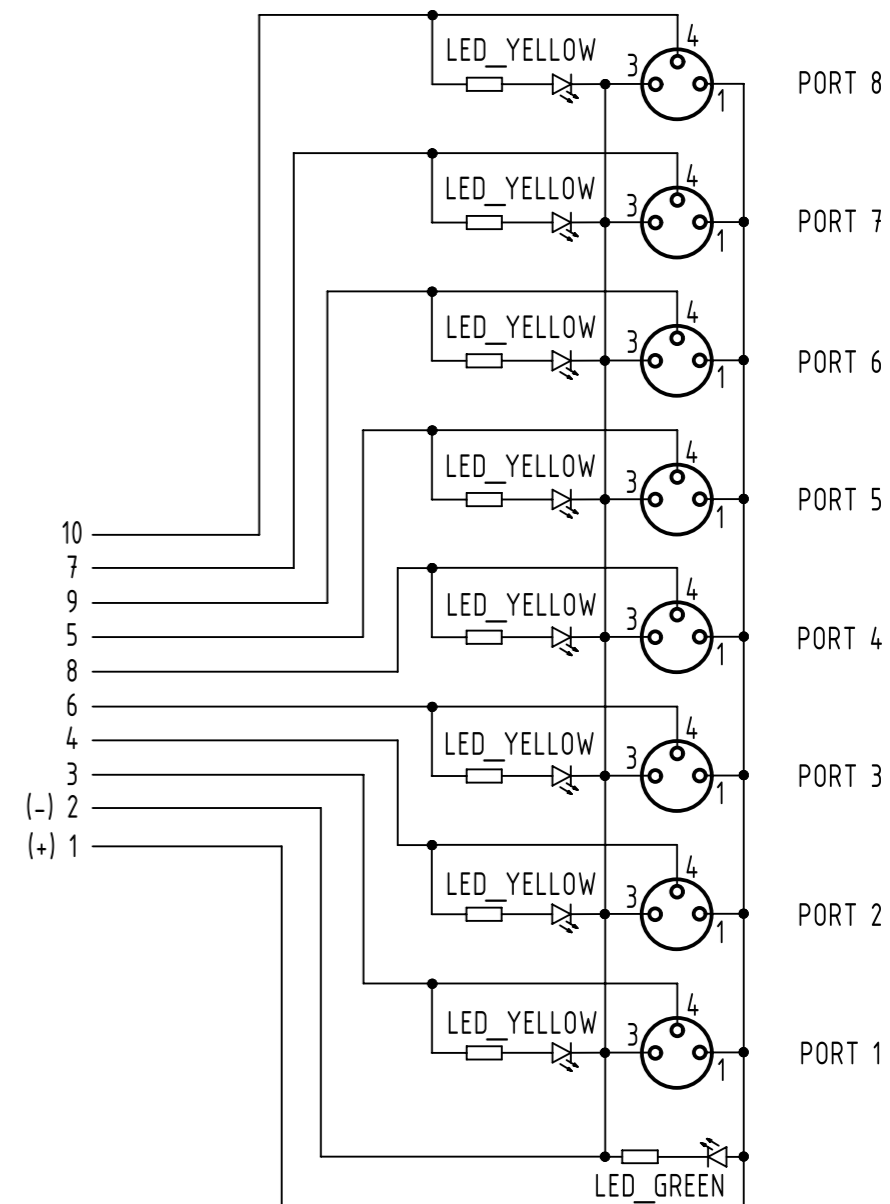


Electrical data:
 -Rated voltage: 15-30V DC
 -Nominal: 2 A per Contact
 -Current: 2 A max total

Loading plan



- Protection level: IP 67
 - Temperature range: -25°C...+80°C

All Dimensions in mm		Tech. Character.		Free size tol.		According to production drawing	
All rights reserved Department HCS - RO	Created by	Inspected by	Standardisation	Date	State		Doc-Key / ECM-Nr. 100689687/UGD/000/C 500000123988
	MUNTEANV	MUNTEANV	AVRAM	2017-08-18	Final Release		
HARTING Customised Solutions D-32427 Minden		Title		Number		Rev.	Page
		har-SAB M8/8/3p M12/12p		090700620100		C	1/1