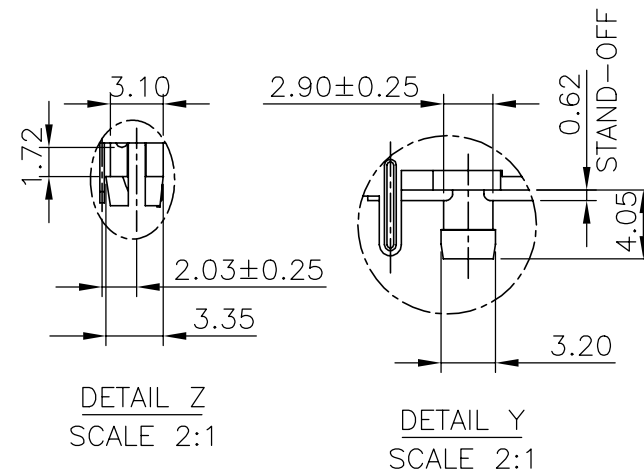
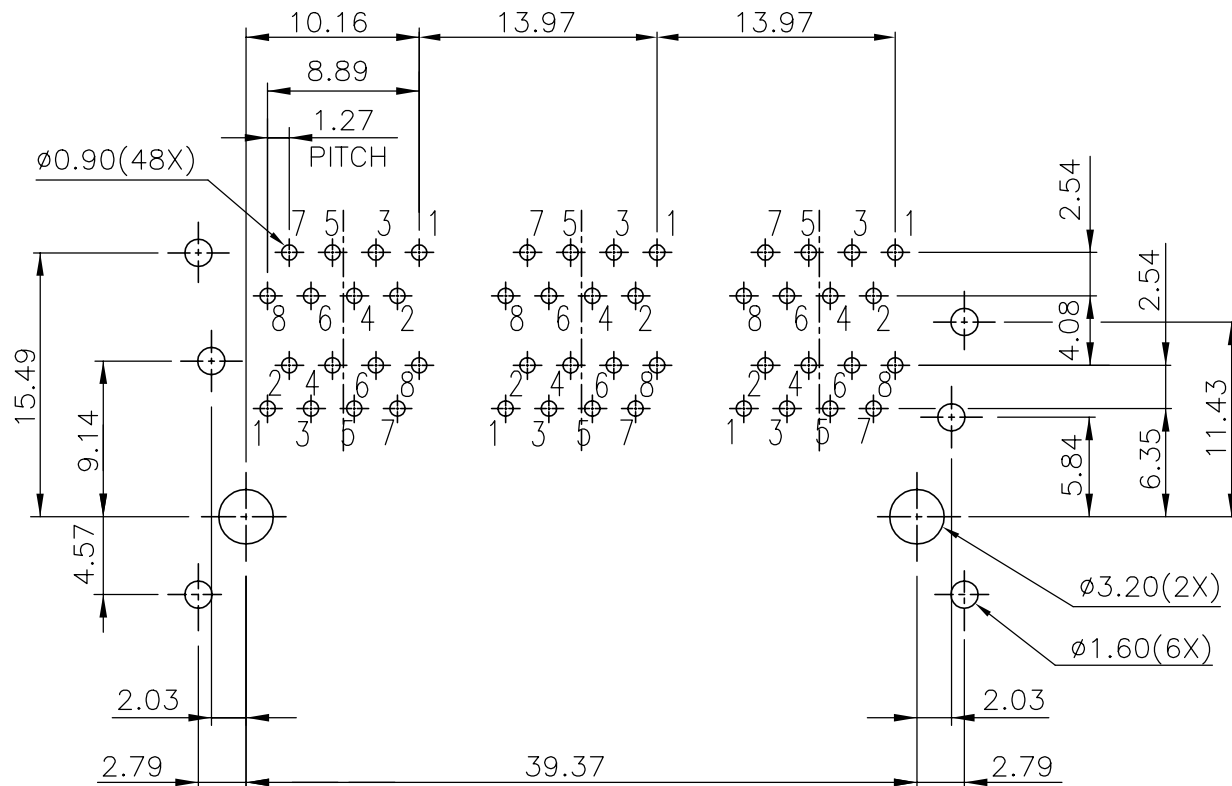


mat'l. code		surface ASME Y14.5 ✓		tolerance ASME Y14.5		projection MM [INCH]		product family GANGED MJACK	
ltr	ecn no	dr	date	tolerances unless otherwise specified		MM [INCH]		title CAT 3 MULTIPORT STACKED 2x3 WITH SHIELD, W/O LED	
A		WL	11/04/11	angles	X.X±0.25	scale		dwg no 10118071	
				X°±1'	X.XX±0.13			sheet 1 of 3 size A4	
				dr	WENDY CHEN	05/03/11		FCI	
				enr	WENDY CHEN	05/03/11		type CUSTOMER Drawing	
				chr	WENDY CHEN	05/03/11			
				appd	GARY HSIEH	05/03/11			
sheet index	revision sheet	A	A	A					
		1	2	3					



RECOMMENDED PCB LAYOUT
RECOMMENDED PCB THICKNESS: 1.6mm
TOLERANCE:±0.05mm (TOP VIEW)

mat'l. code		surface ASME Y14.5 ✓		tolerance ASME Y14.5		projection [Symbol]		product family GANGED MJACK	
ltr		ecn no		dr		date		title CAT 3 MULTIPORT STACKED 2x3 WITH SHIELD, W/O LED	
A								sheet 2 of 3 size A4	
		angles		X.X±0.25		MM [INCH]		dwg no 10118071	
		X*±1*		X.XX±0.13		scale		type CUSTOMER Drawing	
		dr		WENDY CHEN		05/03/11		FCI	
		enr		WENDY CHEN		05/03/11			
		chr		WENDY CHEN		05/03/11			
		appd		GARY HSIEH		05/03/11			
sheet index		revision sheet							

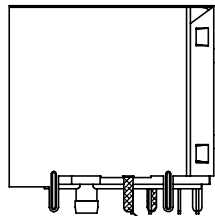
NOTE:

1. MATERIAL:
HOUSING & INNER HOUSING & COVER:
HIGH TEMPERATURE THERMOPLASTIC, UL94V-0, COLOR: BLACK.
CONTACTS: COPPER ALLOY.
SHIELD: COPPER ALLOY.
INNER SHIELD: COPPER ALLOY.
2. FINISH:
CONTACTS: 50u" MIN. NICKEL UNDER PLATED OVER ALL.
SELECTIVE GOLD PLATED ON CONTACT AREA,
1u" GOLD PLATED ON SOLDER TAIL.
SHIELD & INNER SHIELD: 20u" MIN. NICKEL OVER ALL.
3. LASER MARK FCI LOGO ON THE TOP OF SHIELD.
4. "DATE CODE" DESCRIPTION:

XX	XX	
	WEEK	
YEAR (EX. : 10--2010)		
5. PRODUCT PERFORMANCE PER SPEC. : GS-12-0990.
6. PACKING SPEC. : GS-14-2170.
7. THIS PRODUCT MEETS THE EUROPEAN UNION DIRECTIVE AS DESCRIBED IN GS-22-008.
8. THE HOUSING WILL WITHSTAND EXPOSURE TO 260°C PEAK TEMPERATURE FOR 5 SECONDS IN A WAVE SOLDER APPLICATION WITH A CIRCUIT BOARD.

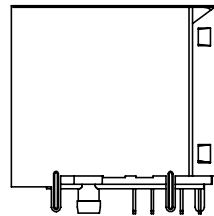
9. PART NUMBER DESCRIPTION:

- 10118071-X X X X X X LF
- LEAD FREE
 - 0 : RESERVED (NOT USED)
 - PACKAGING
1 : TRAY
 - OPTIONAL BACK SHIELD TAB
0 : WITHOUT BACK SHIELD TAB
 - OPTIONAL RIGHT / LEFT SHIELD TAB
A : SHIELD TAB WITH INNER SHIELD
B : SHIELD TAB WITHOUT INNER SHIELD
 - OPTIONAL PANEL GROUND
0 : WITHOUT PANEL GROUND
 - LED COLOR
0 : WITHOUT LED
 - CONTACT AREA PLATING
1 : 15u" GOLD PLATING
2 : 30u" GOLD PLATING
5 : 1u" GOLD FLASH PLATING



INNER SHIELD

10118071-XXXAXXXLF
(WITH INNER SHIELD)



10118071-XXXBXXXLF
(WITHOUT INNER SHIELD)

mat'l. code		surface ASME Y14.5	tolerance ASME Y14.5	projection MM [INCH]	product family GANGED MJACK
ltr	ecn no	dr	date	tolerances unless otherwise specified	title CAT 3 MULTIPORT STACKED 2x3 WITH SHIELD, W/O LED
A				angles X.X±0.25 X.XX±0.13 X*±1*	
				scale	dwg no 10118071
				dr WENDY CHEN 05/03/11	sheet 3 of 3 size A4
				enr WENDY CHEN 05/03/11	type CUSTOMER Drawing
				chr WENDY CHEN 05/03/11	
				appd GARY HSIEH 05/03/11	
sheet index	revision sheet				