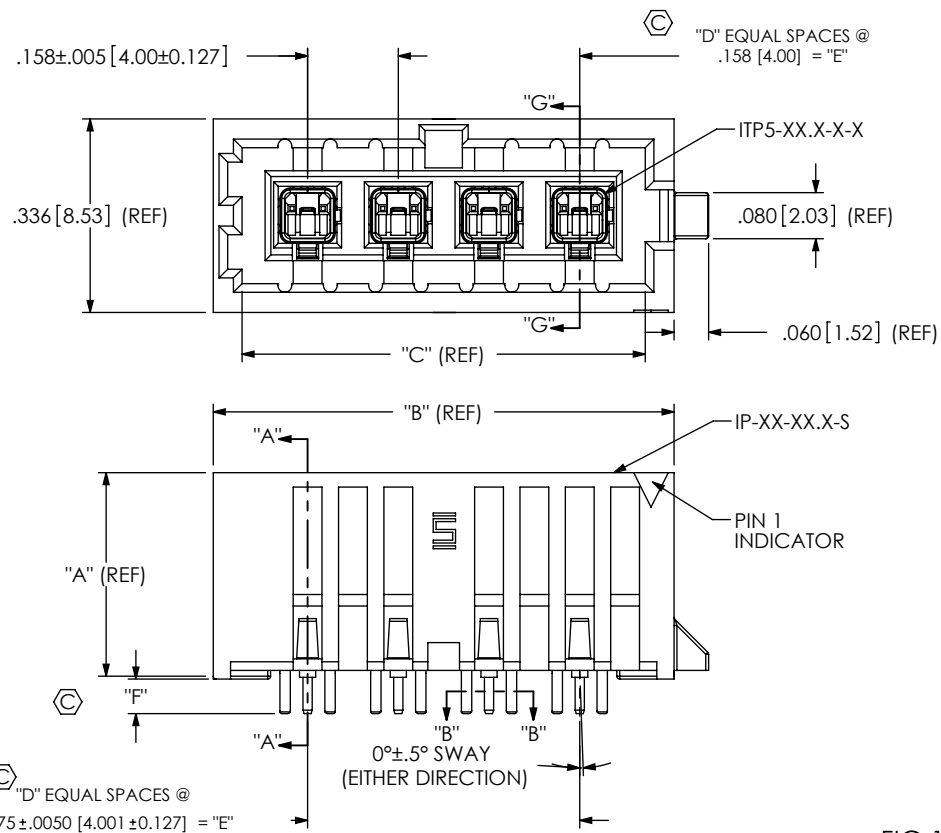


REVISION E



IP5-XX-XX.X-X-X-X-X-TR

No. OF POSITIONS PER ROW

- 01: 1 POSITION (SEE NOTE 4)
- 02: 2 POSITIONS
- 04: 4 POSITIONS
- 06: 6 POSITIONS
- 08: 8 POSITIONS
- *-10: 10 POSITIONS (*=NOT TOOLED)

LEAD STYLE

- *-02.0 (SEE TABLE 1 & 5)
- *-03.0 (SEE TABLE 1 & 6)
- *-04.0 (SEE TABLE 1 & 6)
- 05.0 (SEE TABLE 1 & 6)
- *-06.0 (SEE TABLE 1 & 6)
- *-07.0 (SEE TABLE 1 & 6)
- *-08.0 (SEE TABLE 1 & 6)
- *-09.0 (SEE TABLE 1 & 6)
- *-10.0 (SEE TABLE 1 & 6)
- *-11.0 (SEE TABLE 1 & 6) (* NOT TOOLED)

PACKAGING

- TR: TAPE & REEL (SEE NOTE 3)

OPTION

- L: CABLE LATCH (SEE NOTE 5)

TAIL OPTIONS

- 1: .062" THICK BOARD

ROW

- S: SINGLE ROW
- D: DOUBLE ROW (SEE NOTE 4)

PLATING OPTIONS

- S: 30μ" SELECTIVE GOLD IN CONTACT AREA, MATTE TIN ON TAIL
- L: 10μ" SELECTIVE GOLD IN CONTACT AREA, MATTE TIN ON TAIL

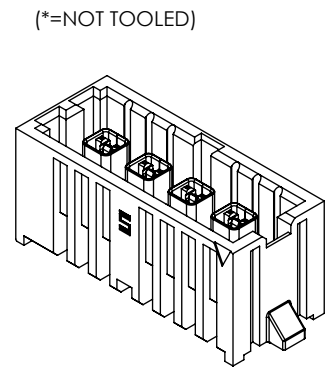
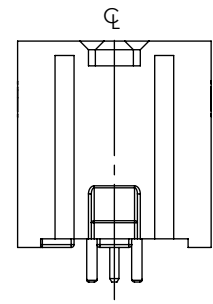


FIG 1
(IP5-04-05.0-L-S-X SHOWN)

IP5 LEAD STYLE	IP-XX-XX.X-P/N	ITP5-XX-XX.X-P/N
*IP5-XX-02.0-X-X-X-X	*IP-XX-02.0-X	*ITP5-02.0-X-X
*IP5-XX-03.0-X-X-X-X	*IP-XX-03.0-X	*ITP5-03.0-X-X
*IP5-XX-04.0-X-X-X-X	*IP-XX-04.0-X	*ITP5-04.0-X-X
IP5-XX-05.0-X-X-X-X	IP-XX-05.0-X	ITP5-05.0-X-X
*IP5-XX-06.0-X-X-X-X	*IP-XX-06.0-X	*ITP5-06.0-X-X
*IP5-XX-07.0-X-X-X-X	*IP-XX-07.0-X	*ITP5-07.0-X-X
*IP5-XX-08.0-X-X-X-X	*IP-XX-08.0-X	*ITP5-08.0-X-X
*IP5-XX-09.0-X-X-X-X	*IP-XX-09.0-X	*ITP5-09.0-X-X
*IP5-XX-10.0-X-X-X-X	*IP-XX-10.0-X	*ITP5-10.0-X-X
*IP5-XX-11.0-X-X-X-X	*IP-XX-11.0-X	*ITP5-11.0-X-X

(* = NOT TOOLED)

LEAD STYLE	"A" (REF)	"G" (REF)
*-02.0	0.2400 [6.096]	0.0340 [0.864]
*-03.0	0.2794 [7.096]	0.0734 [1.864]
*-04.0	0.3187 [8.096]	0.1127 [2.864]
-05.0	0.3581 [9.096]	0.1521 [3.864]
*-06.0	0.3975 [10.096]	0.1915 [4.864]
*-07.0	0.4369 [11.096]	0.2309 [5.864]
*-08.0	0.4762 [12.096]	0.2702 [6.864]
*-09.0	0.5156 [13.096]	0.3096 [7.864]
*-10.0	0.5550 [14.096]	0.3490 [8.864]
*-11.0	0.5943 [15.096]	0.3883 [9.864]

(* = NOT TOOLED)

No. POS PER ROW	"B" (REF)	"C" (REF)	"D"	"E" +/- .0050
-01	0.328 [8.32]	0.228 [5.78]	N/A	N/A
-02	0.485 [12.32]	0.385 [9.78]	1	0.1575 [4.001]
-04	0.800 [20.32]	0.700 [17.78]	3	0.4725 [12.002]
-06	1.115 [28.32]	1.015 [25.78]	5	0.7875 [20.003]
-08	1.430 [36.32]	1.330 [33.78]	7	1.1025 [28.004]
*-10	1.745 [44.32]	1.645 [41.78]	9	1.4175 [36.005]

(* = NOT TOOLED)

-TAIL OPTION	"F"
-1	0.060 [1.52]

ASSEMBLED STACK HEIGHT-7MM ONLY	
IP5 LEADSTYLE	STACK HEIGHT
*IP5-XX-02.0-X-X-X-X 2.0MM [0.079]	7.0MM [0.275]

ASSEMBLED STACK HEIGHT - 8MM TO 16MM	
IP5 LEAD STYLE	STACK HEIGHT
*IP5-XX-03.0-X-X-X-X	8.0MM [0.315]
*IP5-XX-04.0-X-X-X-X	9.0MM [0.354]
IP5-XX-05.0-X-X-X-X	10.0MM [0.394]
*IP5-XX-06.0-X-X-X-X	11.0MM [0.433]
*IP5-XX-07.0-X-X-X-X	12.0MM [0.472]
*IP5-XX-08.0-X-X-X-X	13.0MM [0.512]
*IP5-XX-09.0-X-X-X-X	14.0MM [0.551]
*IP5-XX-10.0-X-X-X-X	15.0MM [0.591]
*IP5-XX-11.0-X-X-X-X	16.0MM [0.630]

(* = NOT TOOLED)

- NOTES:**
- ⊕ REPRESENTS A CRITICAL DIMENSION.
 - MINIMUM PUSH OUT FORCE .5 LBS. [0.23 Kg.]
 - FOR QUANTITIES UP TO 49 PCS., NO LEADER, TRAILER OR REEL WILL BE SUPPLIED, FOR QUANTITIES OF 50 TO 124 PCS., NO LEADER OR TRAILER WILL BE SUPPLIED.
 - 01 POSITION NOT AVAILABLE WITH -D ROW OR -L OPTION.
 - L: CABLE LATCH OPTION ONLY AVAILABLE IN -05.0 LEAD STYLE & -S ROW OPTION.
 - LOAD WELD TAB WITH LANCES FACING INWARD.

UNLESS OTHERWISE SPECIFIED, DIMENSIONS ARE IN INCHES [MILLIMETERS]

TOLERANCES ARE:

DECIMALS ANGLES

.XX: ±.01 [.3] 2°

.XXX: ±.005 [.13]

.XXXX: ±.0030 [.076]

PROPRIETARY NOTE

THIS DOCUMENT CONTAINS INFORMATION CONFIDENTIAL AND PROPRIETARY TO SAMTEC, INC. AND SHALL NOT BE REPRODUCED OR TRANSFERRED TO OTHER DOCUMENTS OR DISCLOSED TO OTHERS OR USED FOR ANY PURPOSE OTHER THAN THAT WHICH IT WAS OBTAINED WITHOUT THE EXPRESSED WRITTEN CONSENT OF SAMTEC, INC.

MATERIAL: DO NOT SCALE DRAWING SHEET SCALE: 4:1

BODY: HIGH TEMP NYLON. COLOR: BLACK

SHIELD: COPPER ALLOY

TERMINAL: COPPER ALLOY

DIELECTRIC: LCP, COLOR: BLACK

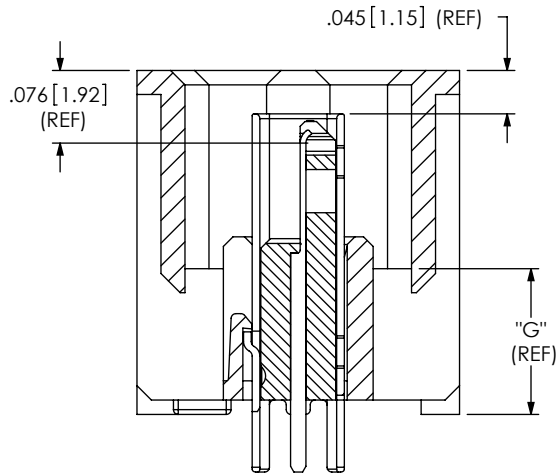
520 PARK EAST BLVD, NEW ALBANY, IN 47150
PHONE: 812-944-6733 FAX: 812-948-5047
e-Mail: info@SAMTEC.com code: 55322

DESCRIPTION: TERMINAL ARRAY ASSEMBLY, IP5 CONNECTOR

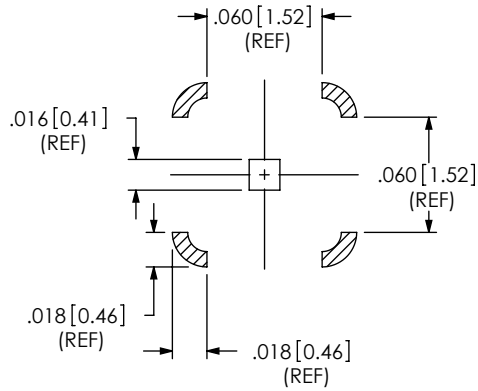
DWG. NO. **IP5-XX-XX.X-X-X-X-X-TR**

BY: PIERCE 11/10/2007 SHEET 1 OF 3

REVISION E



SECTION "A"-"A"
SCALE 5 : 1



SECTION "B"-"B"
SCALE 10 : 1

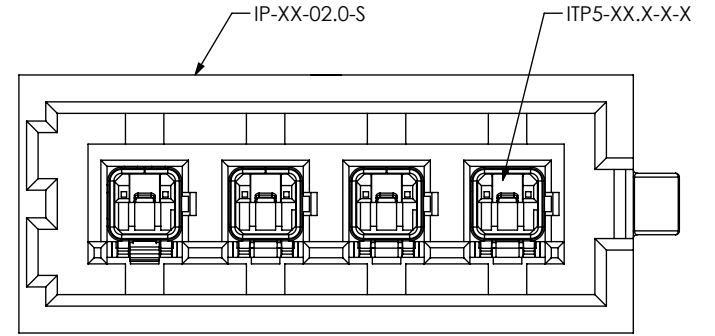


FIG 3
(IP5-04-02.0-L-S-X SHOWN)
(SAME AS FIG 1, EXCEPT AS SHOWN)

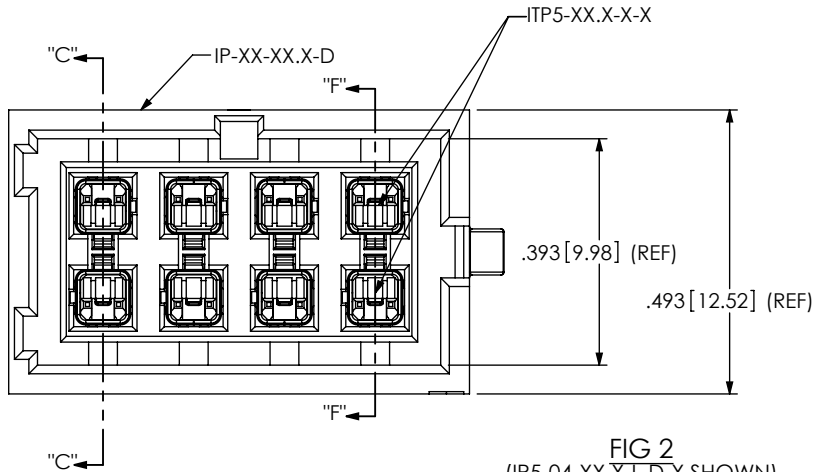
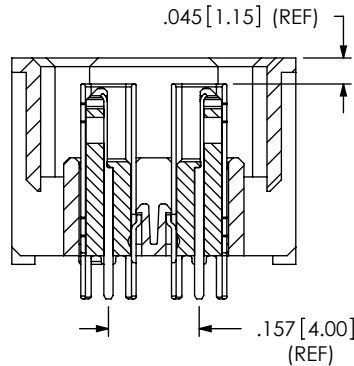
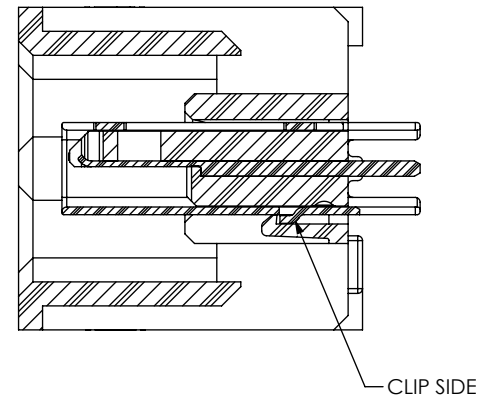


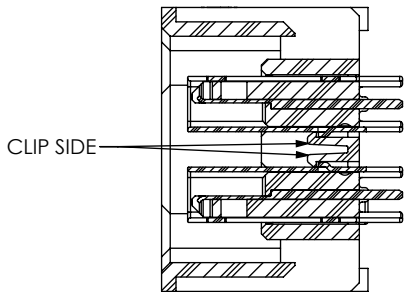
FIG 2
(IP5-04-XX.X-L-D-X SHOWN)
(SAME AS FIG 1, EXCEPT AS SHOWN)



SECTION "C"-"C"
SCALE 3 : 1



SECTION "G"-"G"
SCALE 5 : 1



SECTION "F"-"F"
SCALE 3 : 1

PROPRIETARY NOTE

THIS DOCUMENT CONTAINS INFORMATION CONFIDENTIAL AND PROPRIETARY TO SAMTEC, INC. AND SHALL NOT BE REPRODUCED OR TRANSFERRED TO OTHER DOCUMENTS OR DISCLOSED TO OTHERS OR USED FOR ANY PURPOSE OTHER THAN THAT WHICH IT WAS OBTAINED WITHOUT THE EXPRESSED WRITTEN CONSENT OF SAMTEC, INC.

DO NOT SCALE DRAWING

SHEET SCALE: 4:1

samtec

520 PARK EAST BLVD, NEW ALBANY, IN 47150
PHONE: 812-944-6733 FAX: 812-948-5047
e-Mail: info@SAMTEC.com code: 55322

DESCRIPTION:
TERMINAL ARRAY ASSEMBLY, IP5 CONNECTOR

DWG. NO.
IP5-XX-XX.X-X-X-X-X-TR

BY: PIERCE 11/10/2007 SHEET 2 OF 3

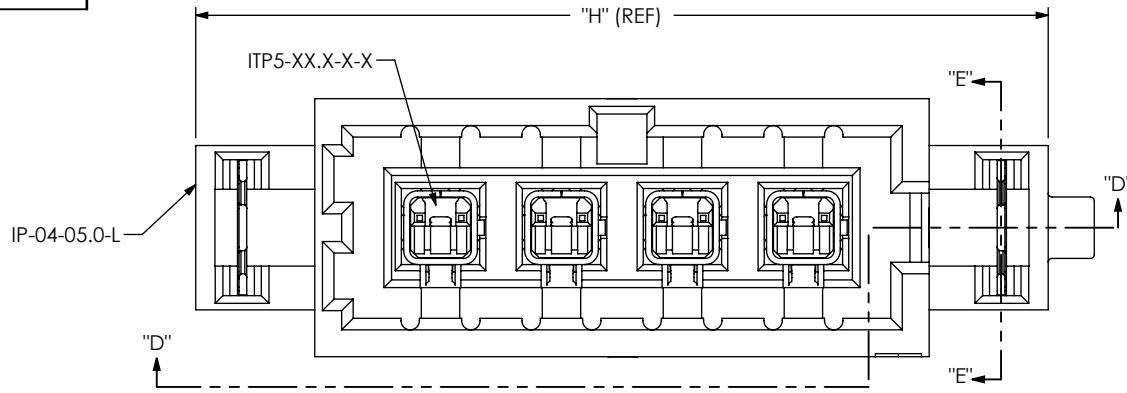


TABLE 7

POS	"H" (REF)	"J"
*-01	0.638 [16.19]	0.515 [13.07]
-02	0.795 [20.19]	0.672 [17.07]
-04	1.110 [28.19]	0.987 [25.07]
-06	1.425 [36.20]	1.302 [33.08]
-08	1.740 [44.20]	1.617 [41.08]
*-10	2.055 [52.20]	1.932 [49.08]

(* = NOT TOOLED)

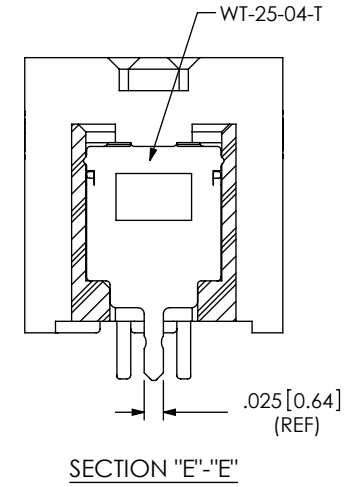
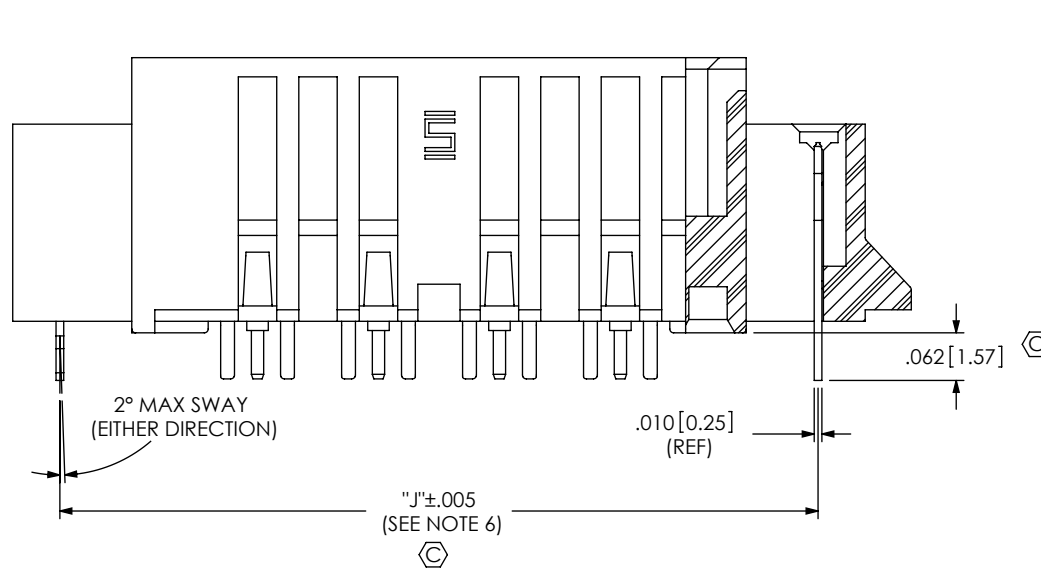


FIG 4
(IP5-04-05.0-L-S-X-L SHOWN)
(SAME AS FIG 1, EXCEPT AS SHOWN)

PROPRIETARY NOTE
THIS DOCUMENT CONTAINS INFORMATION CONFIDENTIAL AND PROPRIETARY TO SAMTEC, INC. AND SHALL NOT BE REPRODUCED OR TRANSFERRED TO OTHER DOCUMENTS OR DISCLOSED TO OTHERS OR USED FOR ANY PURPOSE OTHER THAN THAT WHICH IT WAS OBTAINED WITHOUT THE EXPRESSED WRITTEN CONSENT OF SAMTEC, INC.

DO NOT SCALE DRAWING

SHEET SCALE: 4:1



520 PARK EAST BLVD, NEW ALBANY, IN 47150
PHONE: 812-944-6733 FAX: 812-948-5047
e-Mail: info@SAMTEC.com code: 55322

DESCRIPTION:
TERMINAL ARRAY ASSEMBLY, IP5 CONNECTOR

DWG. NO.
IP5-XX-XX.X-X-X-X-X-TR

BY: PIERCE 11/10/2007 SHEET 3 OF 3