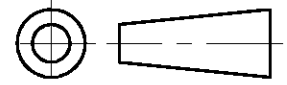


DO NOT SCALE

DIMENSIONS IN mm

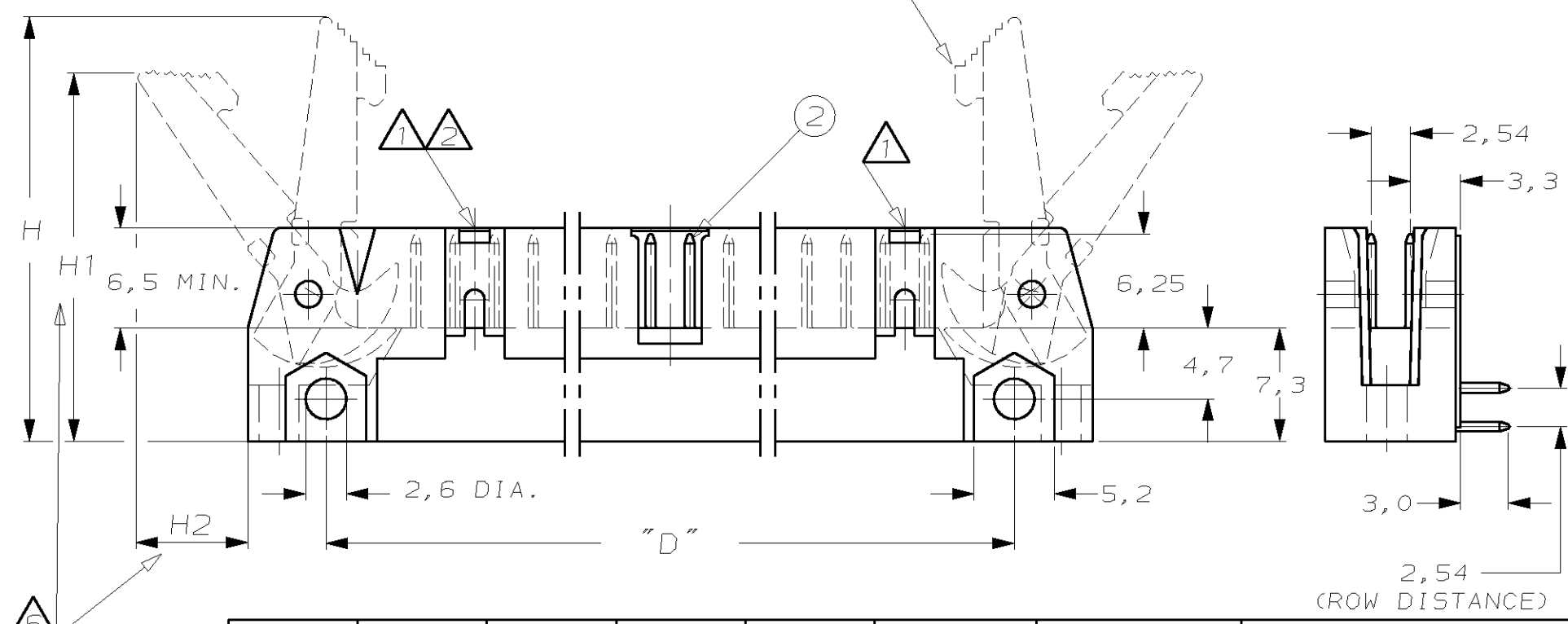
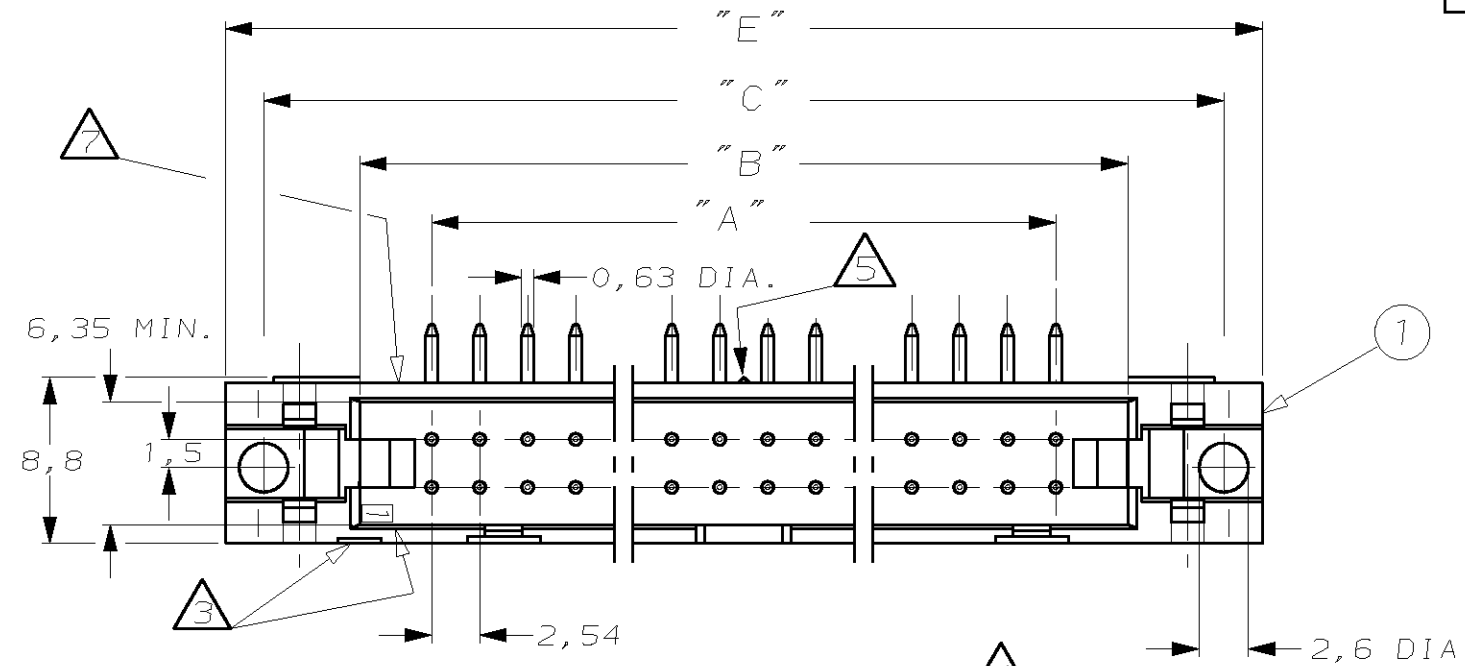
METRIC

THIRD ANGLE
PROJECTION

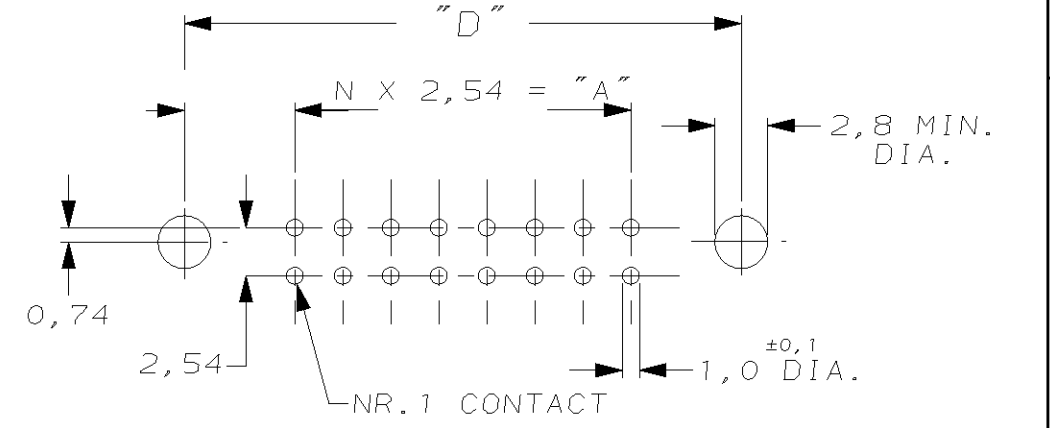


NOTES

- 1 SNAP-IN POLARIZERS PN. 927636-2 OR 927637-2 CAN BE APPLIED.
- 2 THERE IS NO WINDOW FOR SNAP-IN POLARIZERS AT THIS END IN 10 AND 14 POS. HEADERS.
- 3 INDICATION OF FIRST POSITION.
- 4 SNAP-IN CONNECTOR "LATCH / EJECTOR" PN. 927176-2 OR 927215-2 CAN BE APPLIED.
- 5 THERE IS NO CENTER STAND-OFF IN 10-26 POS. HEADERS.
- 6 DIMENSION WITH EJECTOR : PN. 927176-2 H= 23 MM, PN. 927215-2 H= 27,3 MM.
H1= 20,2 MM H1= 24 MM
H2= 6 MM H2= 7 MM
- 7 PARTNUMBER AND PROD.- DATE ON SUITABLE SURFACE X-828 581-X
DD.MM.YY



RECOMMENDED PCB-HOLE PATTERN



2	PIN-CONTACT	BRASS	MATING SIDE: 0,8µm AU OR 0,8µm AMP DURAGOLD®/ OVER 1,27µm NI SOLDER SIDE: MIN. 3,0µm SN OVER 1,27µm NI
1	HOUSING	GLASSFILLED POLYESTER	GREY

100,6	90,4	96,5	86,4	78,7	64	6-828581-4
95,5	85,3	91,4	81,3	73,7	60	6-828581-0
82,8	72,6	78,7	68,6	61,0	50	5-828581-0
70,1	59,9	66,0	55,9	48,3	40	4-828581-0
62,5	52,3	58,4	48,3	40,6	34	3-828581-4
52,3	42,2	48,3	38,1	30,5	26	2-828581-6
44,7	34,5	40,6	30,5	22,9	20	2-828581-0
39,6	29,5	35,6	25,4	17,8	16	1-828581-6
37,1	26,9	33,0	22,9	15,2	14	1-828581-4
32,0	21,8	27,9	17,8	10,2	10	1-828581-0
DIM. "E"	DIM. "D"	DIM. "C"	DIM. "B"	DIM. "A"	NR. OF POSITIONS	PARTNUMBER

COMPONENT NAME			MATERIAL			PLATING/COLOUR			
CUSTOMER DRAWING			FOR REFERENCE ONLY			WILL NOT BE UPDATED			
© COPYRIGHT 19-			BY AMP-HOLLAND B.V.			ALL INTERNATIONAL RIGHTS RESERVED. AMP PRODUCTS MAY BE COVERED BY U.S. AND FOREIGN AND/OR PATENTS PENDING.			
THIS DRAWING IS UNPUBLISHED			RELEASED FOR PUBLICATION - ,19 -						
AMP			AMP-HOLLAND B.V.			's-Hertogenbosch, The Netherlands.			
NAME			AMP-LATCH HEADER 90 DEG. VERSION						
LTR.	REVISION RECORD	DR.	CHK.	DATE	DR.	CHK.	DATE		
DR.:	J.v.LIEMPT	CHK.:	R. VERSTIJNEN	APP.:	L.v.50EST	DWG.No.	C-828581	LOC.	AI A3
DATE:	29-11-93	DATE:	-	DATE:	-	SHEET	1 OF 1	REV.LTR.	A1

8 7 6 5 4 3 2 1